

SOLID WOOD FLOORING



Solid hardwood flooring stands as a classic and robust choice for floors, crafted from single timber pieces. Celebrated for its inherent charm and distinct features, this type of flooring infuses any room with warmth and refinement. With an array of wood types at your disposal, you can customise your flooring to match personal tastes and the desired aesthetic. Adding not only visual appeal but also value to your residence, these floors can endure for generations with appropriate care.

NATURAL BEAUTY

SOPHISTICATED

VARIETY

DURABLE



Step into the realm of elegance with Balau wood flooring, an exotic jewel from the heart of Southeast Asia, revered for its unparalleled strength and refined beauty. Perfectly crafted for sophisticated interiors, Balau flooring is the epitome of both resilience and graceful style.

With a dense grain that spans golden yellows to rich browns, Balau wood floors bring a luxurious depth to any indoor space. The lustrous finish of each plank accentuates the wood's vitality and character.

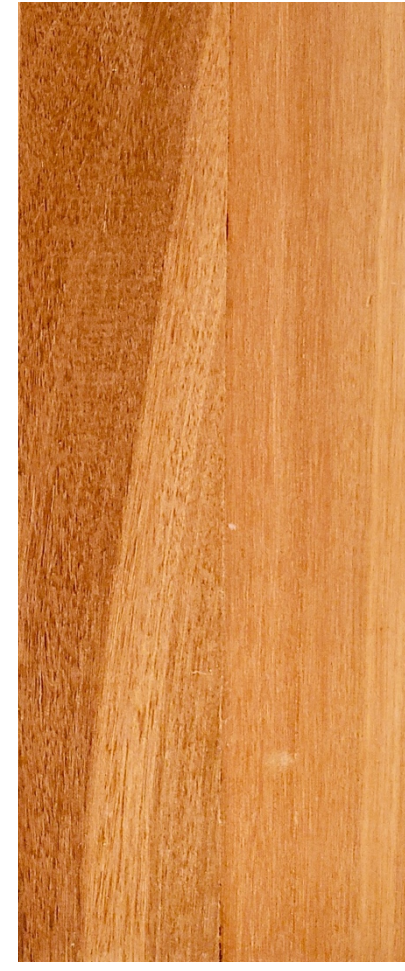
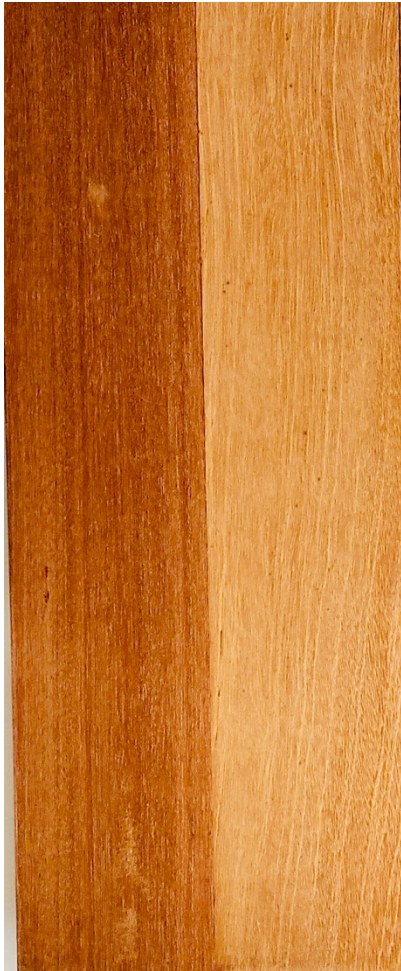
Rich in protective oils and resins, Balau flooring is a natural fortress against everyday wear and tear. Its robust nature makes it an excellent choice for high-traffic areas, offering a reliable foundation that's built to last.

Nature has engineered Balau to weather the test of time with remarkable stability, warding off the common concerns of warping and splitting, and promising a consistent beauty throughout your home.

Balau's low maintenance demands allow for an effortlessly elegant aging process, where it can develop a silver-grey patina full of character or retain its original lustre with simple care.

Embrace Balau indoor flooring where robust longevity and artisanal design converge to forge a foundation of everlasting allure in your living space.

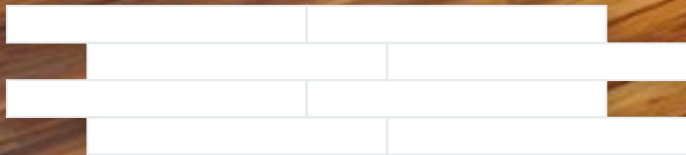
Experience Timeless Elegance and Unmatched Durability. Choose Balau Flooring for a Foundation of Strength, Beauty, and Stories Untold in Every Step You Take.



**PLANK 15MM
70 x 400 - 420MM**



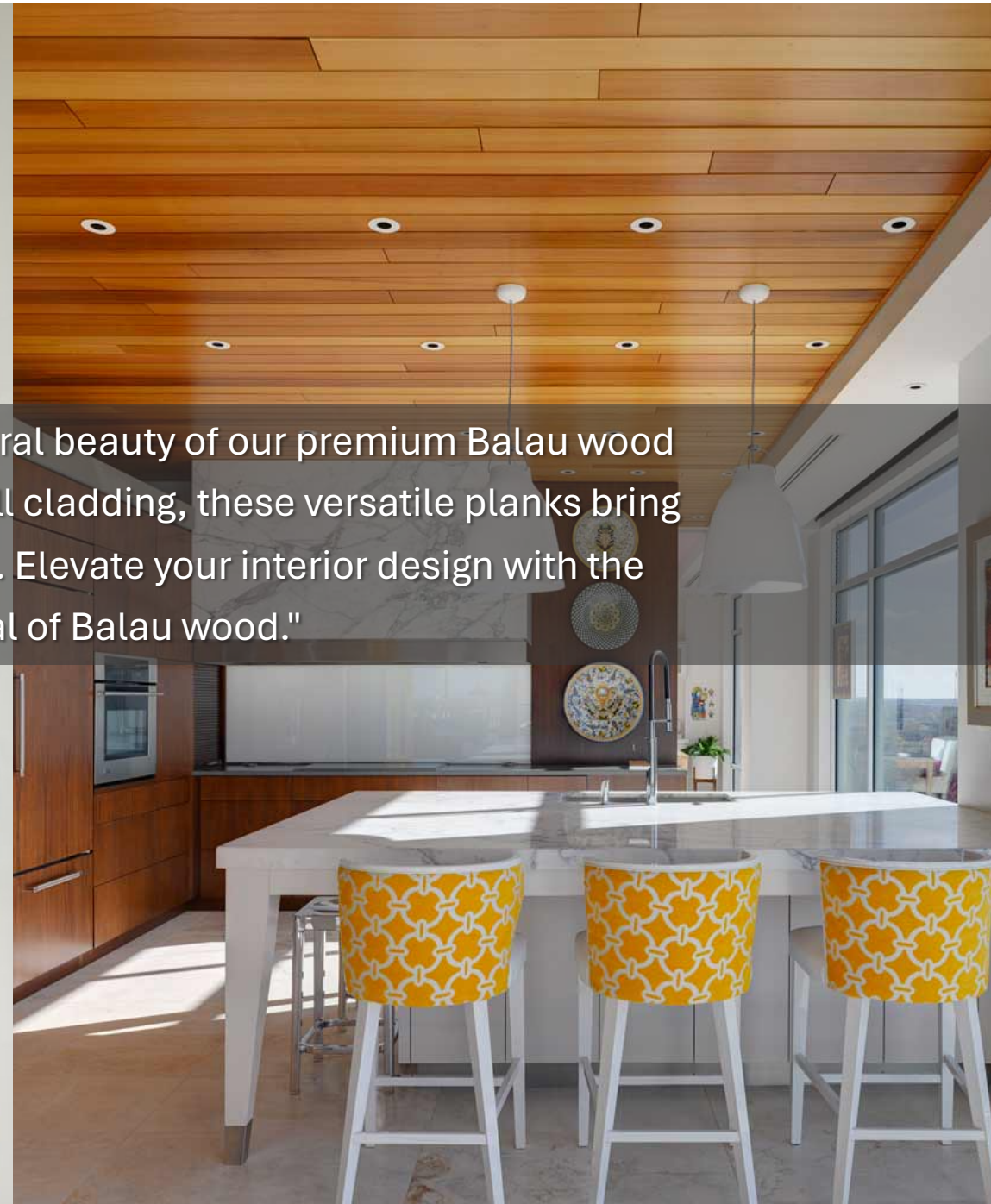
PLANK PATTERN



Botanical Name	Shorea spp.
Average Mass Density	850- 1155 kg/m ³
Width	70mm
Length	400mm – 420mm
Thickness	15mm
Origin	Indonesia
Dimensional stability (UNI 11538-1)	Grade A
Dryness	KILN DRY
Profile	Tongue & Groove
Average Dried Weight	53 lbs/ft ³ (850 kg/m ³)
Specific Gravity (Basic, 12% MC)	.69, .85
Janka Hardness	1,600 lb _f (7,120 N)
Modulus of Rupture	17,730 lb _f /in ² (122.3 MPa)
Elastic Modulus	2,457,000 lb _f /in ² (16.95 GPa)
Crushing Strength	10,280 lb _f /in ² (70.9 MPa)
Shrinkage	Radial: 5.5%, Tangential: 10.1% Volumetric: 15.7% T/R Ratio: 1.8

WALL & CEILING

"Transform your space with the natural beauty of our premium Balau wood planks. Ideal for both ceiling and wall cladding, these versatile planks bring warmth and elegance to any room. Elevate your interior design with the timeless appeal of Balau wood."

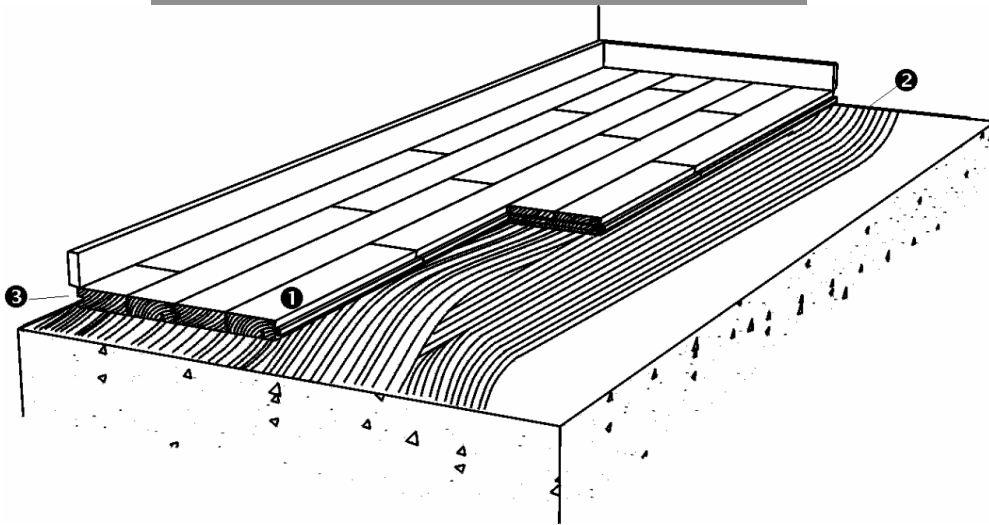


FITTING OPTION

Unveil the versatility of our Balau wood flooring with two refined installation options. Opt for the traditional approach with underlay and glue on concrete flooring with skirting board or indulge in the opulence of our upscale alternative featuring wood batten. This exclusive method delivers a unique effect and acoustics, embodying the essence of luxury as you walk upon its natural beauty.

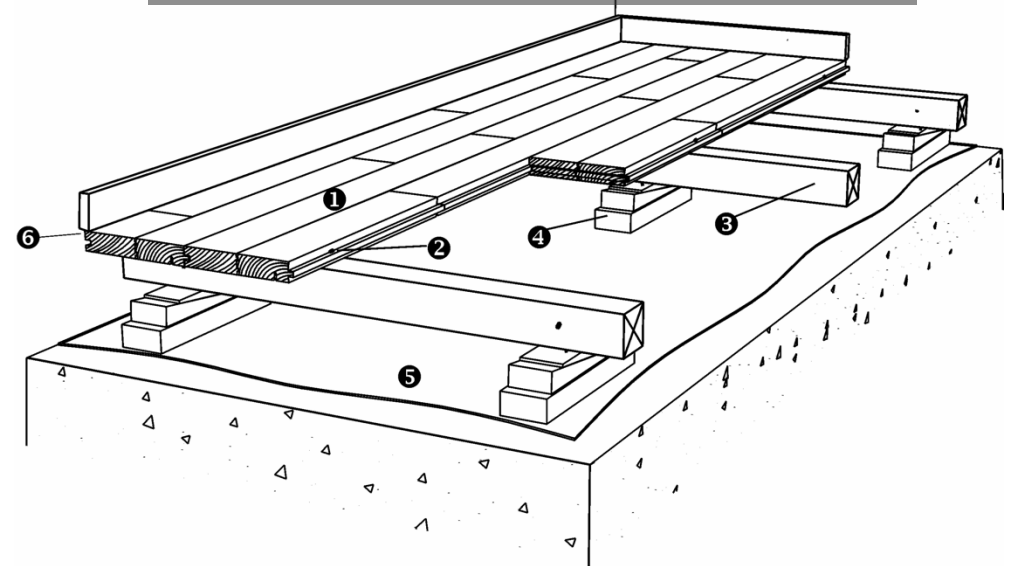
Option 1:

Underlay, Glue & Skirting Board



Option 2:

On Wood Batten, Glue & Skirting Board





Showroom & Office | 218, Royal Road Beau-Bassin | OFFICE 466 0000

WhatsApp (00230) 5916 00 00