

SOLID WOOD FLOORING

Solid hardwood flooring stands as a classic and robust choice for floors, crafted from single timber pieces. Celebrated for its inherent charm and distinct features, this type of flooring infuses any room with warmth and refinement. With an array of wood types at your disposal, you can customise your flooring to match personal tastes and the desired aesthetic. Adding not only visual appeal but also value to your residence, these floors can endure for generations with appropriate care.

NATURAL BEAUTY

SOPHISTICATED

VARIETY

DURABLE

Teak

Introducing the distinguished teak wood, sourced responsibly from Indonesia's tropical haven. This resilient hardwood is celebrated for its impressive durability and water resistance, making it an ideal material for sophisticated indoor flooring that adds a touch of warmth to any home interior.

Teak's straight grain and smooth texture, in shades ranging from golden to medium brown, evolve into an elegant silvery-grey patina if exposed outdoors. Its versatility is unmatched, perfectly suited for crafting both indoor and outdoor furniture that offers enduring beauty and functionality.

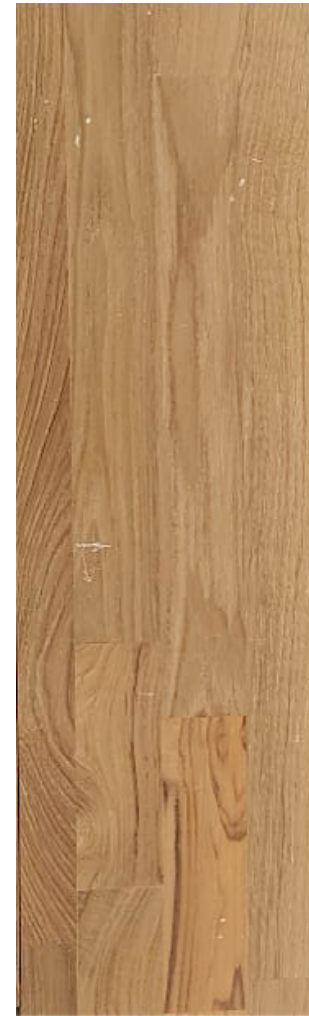
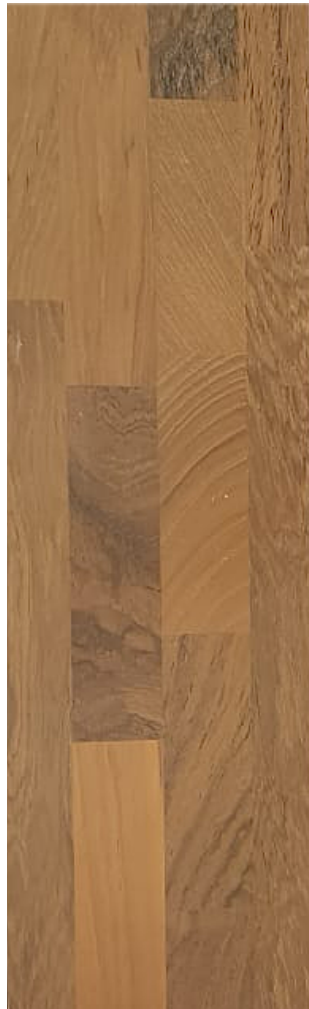
Decking and structural materials benefit from teak's natural oils and rubber, providing unparalleled protection against decay, insects, and weather-induced warping. With its stability and strength, teak stands up to the rigors of both serene and challenging environments.

Requiring minimal maintenance, teak is an eco-friendly option for those seeking excellence without excess. Its ease of care invites a natural aging process or can be maintained with simple treatments to preserve its original allure.

Choose teak wood for your indoor elegance, outdoor charm, and reliable building needs. It's the environmentally conscious choice that encapsulates timeless beauty and sustainability in every grain.

Teak

Experience a variety of textures in our Teak flooring and choose from multiple layers of lacquer to perfectly complement your style and décor preferences.



Teak

PLANK 15MM
135 x 450 – 1800MM



PLANK PATTERN

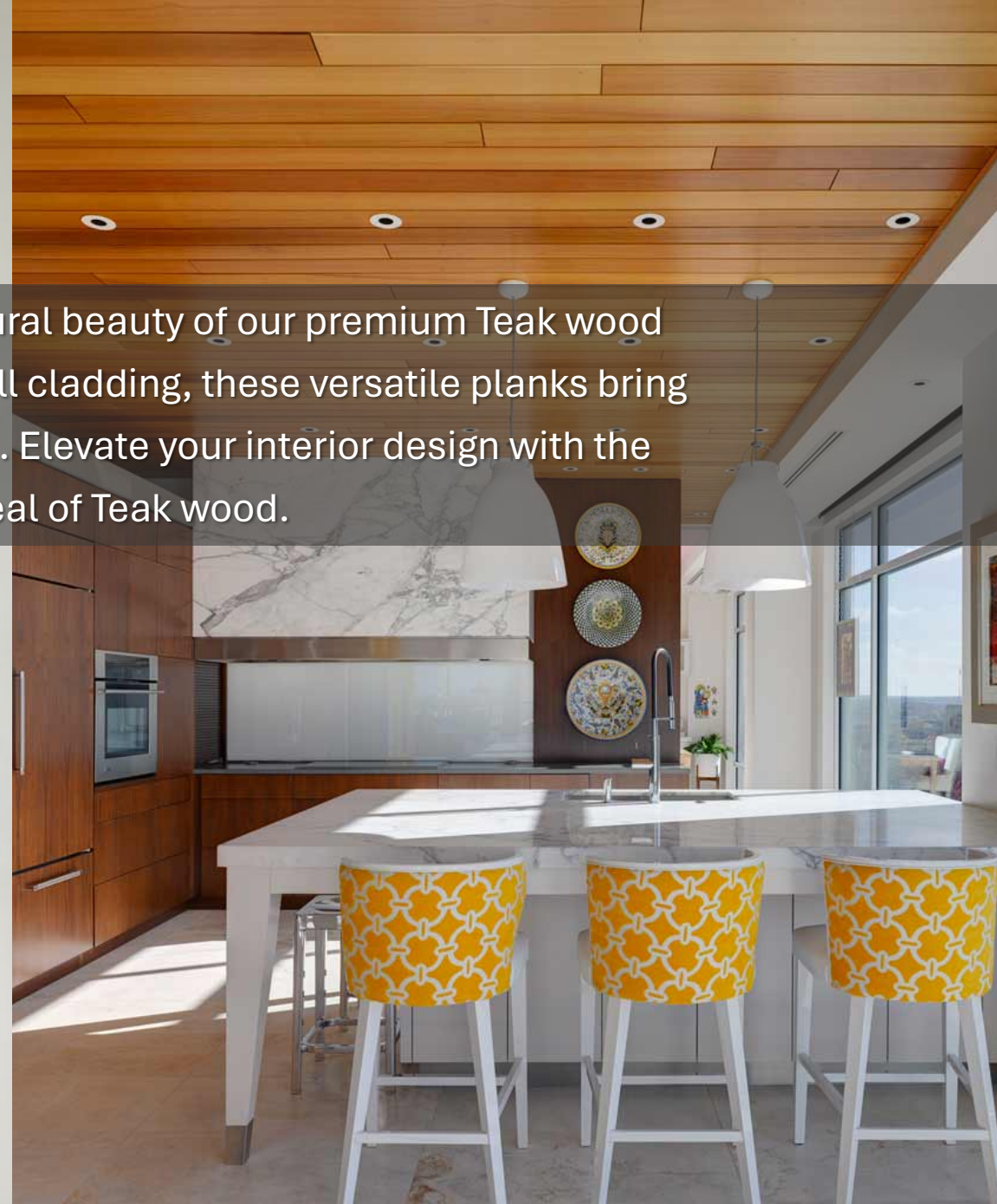
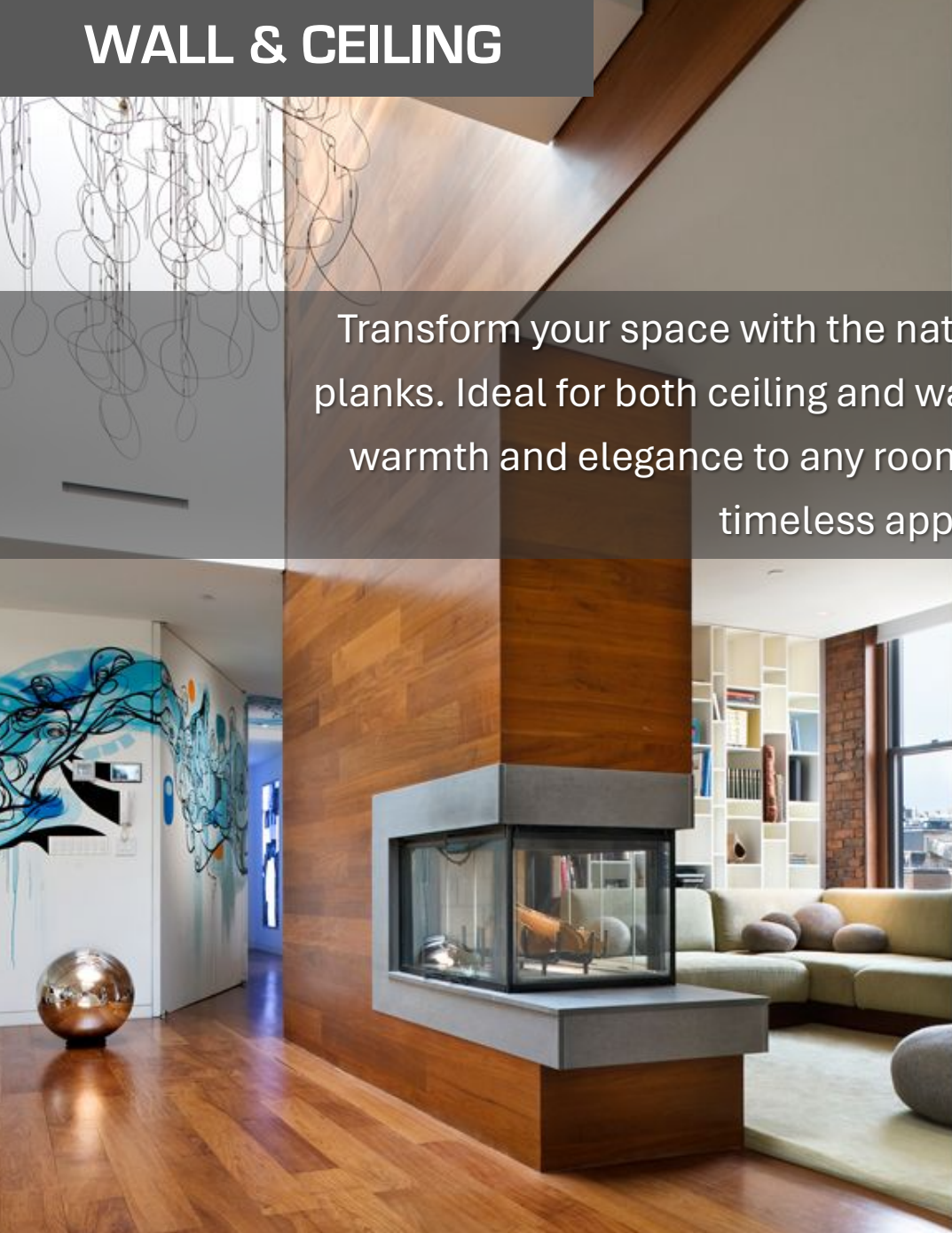


Botanical Name	Tectona Grandis
Average Mass Density	590 kg/m ³
Width	135mm
Length	450mm – 1800mm
Thickness	15mm
Origin	Indonesia
Dimensional stability (UNI 11538-1)	Grade A
Dryness	KILN DRY
Profile	Tongue & Groove
Average Dried Weight	40.9 lbs/ft ³ (655 kg/m ³)
Specific Gravity (Basic, 12% MC)	0.55, 0.66
Janka Hardness	1070 lb _f (4740 N)
Modulus of Rupture	14080 lb _f /in ² (97.1 MPa)
Elastic Modulus	1781000 lb _f /in ² (12.28 GPa)
Crushing Strength	7940 lb _f /in ² (54.8 MPa)
Shrinkage	Radial 2.6%, Tangential: 5.3%, Volumetric: 7.2%, T/R Ratio: 2

Teak

WALL & CEILING

Transform your space with the natural beauty of our premium Teak wood planks. Ideal for both ceiling and wall cladding, these versatile planks bring warmth and elegance to any room. Elevate your interior design with the timeless appeal of Teak wood.

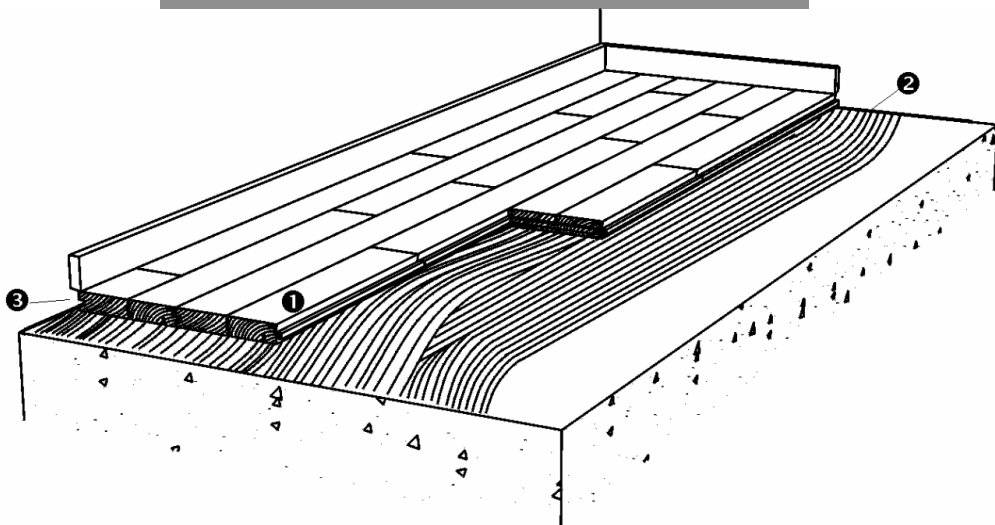


FITTING OPTION

Unveil the versatility of our teak wood flooring with two refined installation options. Opt for the traditional approach with underlay and glue on concrete flooring or indulge in the opulence of our upscale alternative featuring wood batten. This exclusive method delivers a unique effect and acoustics, embodying the essence of luxury as you walk upon its natural beauty.

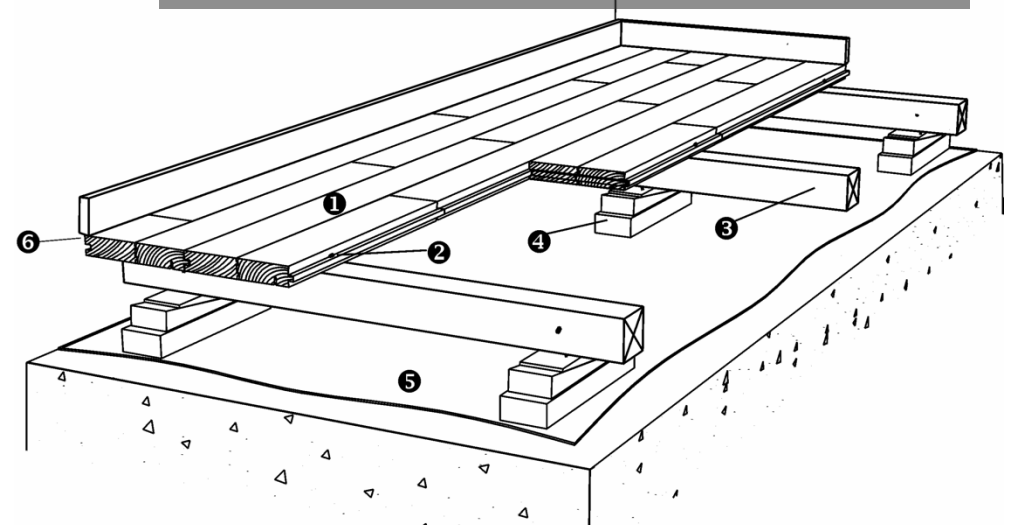
Option 1:

Underlay , Glue & Skirting Board



Option 2:

On Wooden Batten, Glue & Skirting Board



Teak



Showroom & Office | 218, Royal Road Beau-Bassin | OFFICE 466 0000

WhatsApp (00230) 5916 00 00